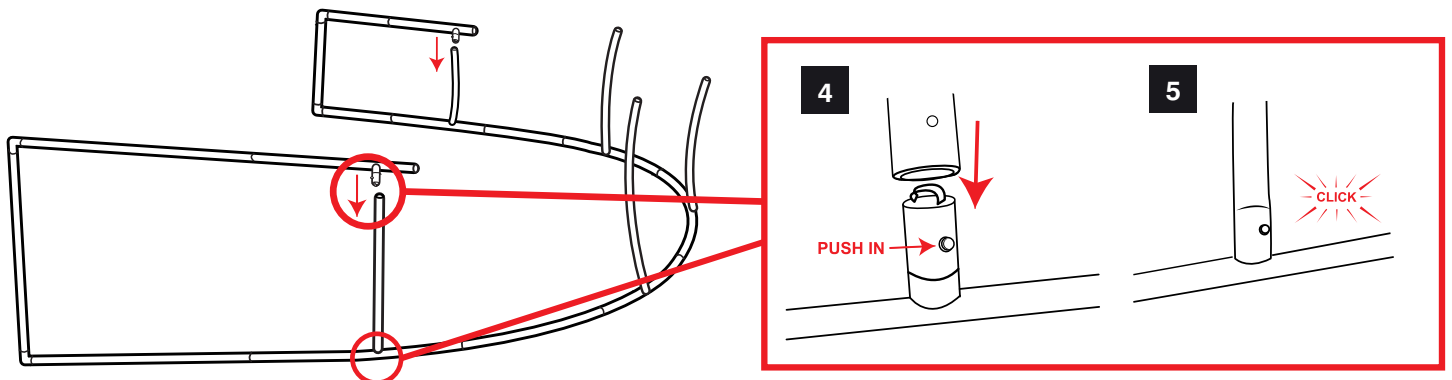
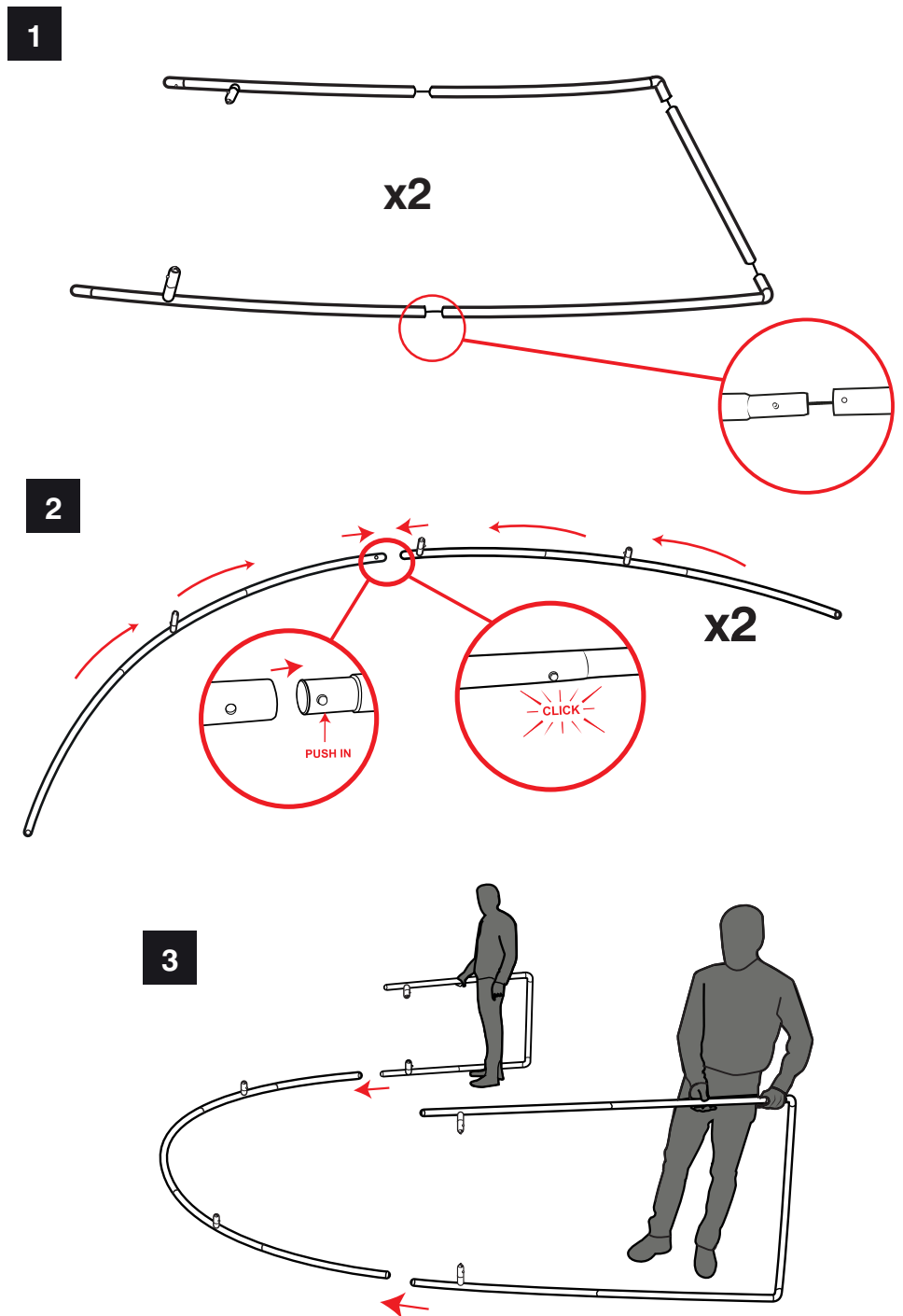
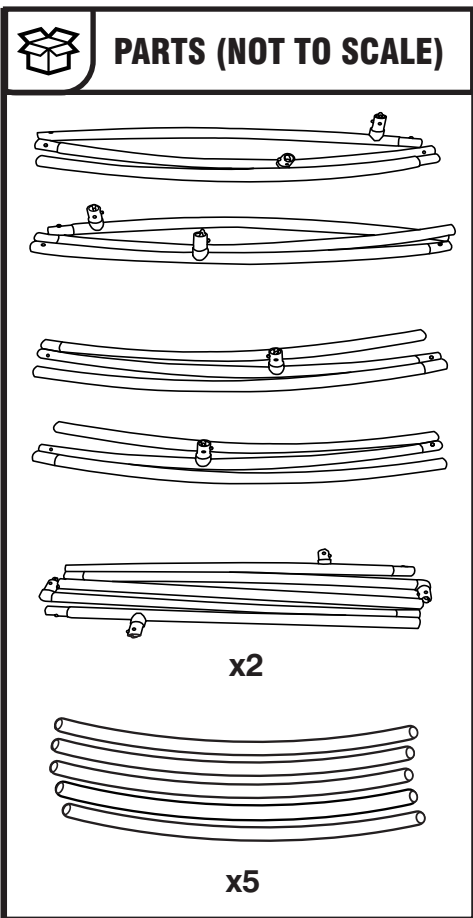
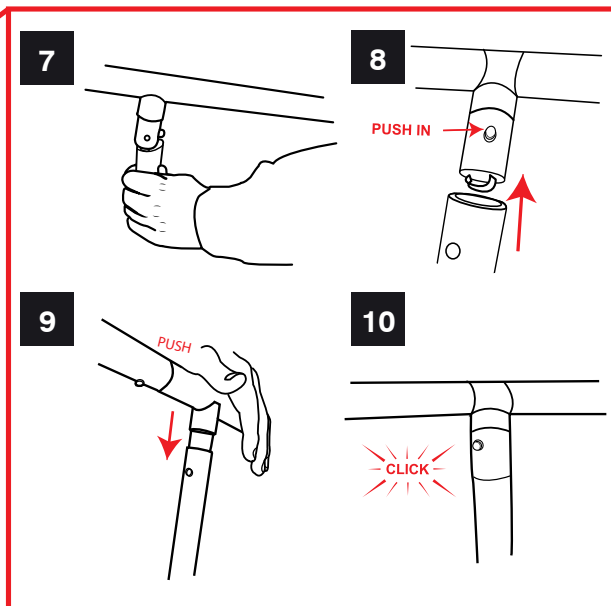
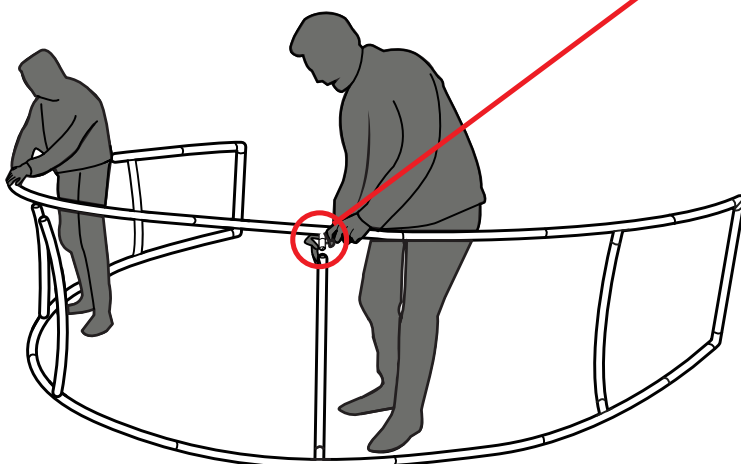
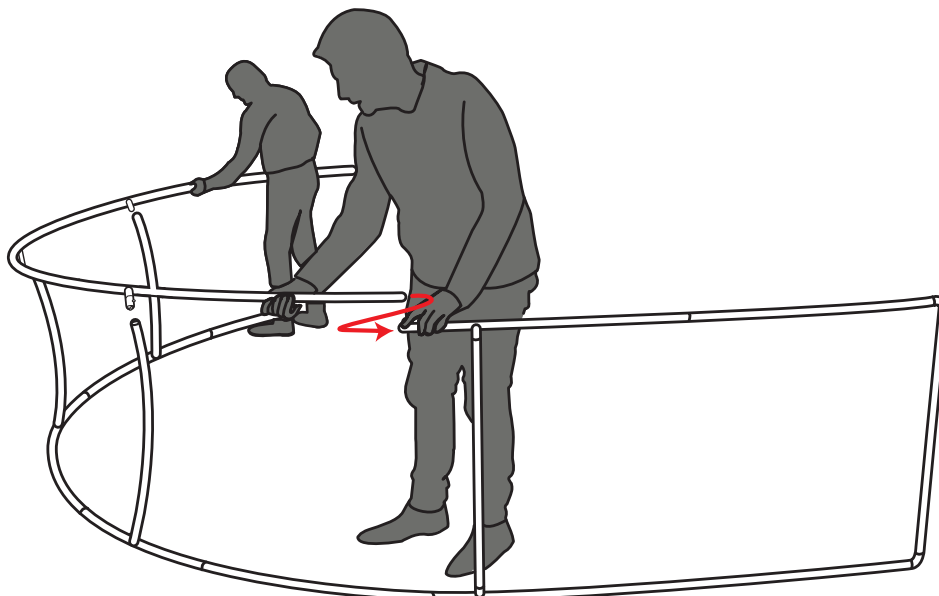


Modular Displays
Formulate Arch



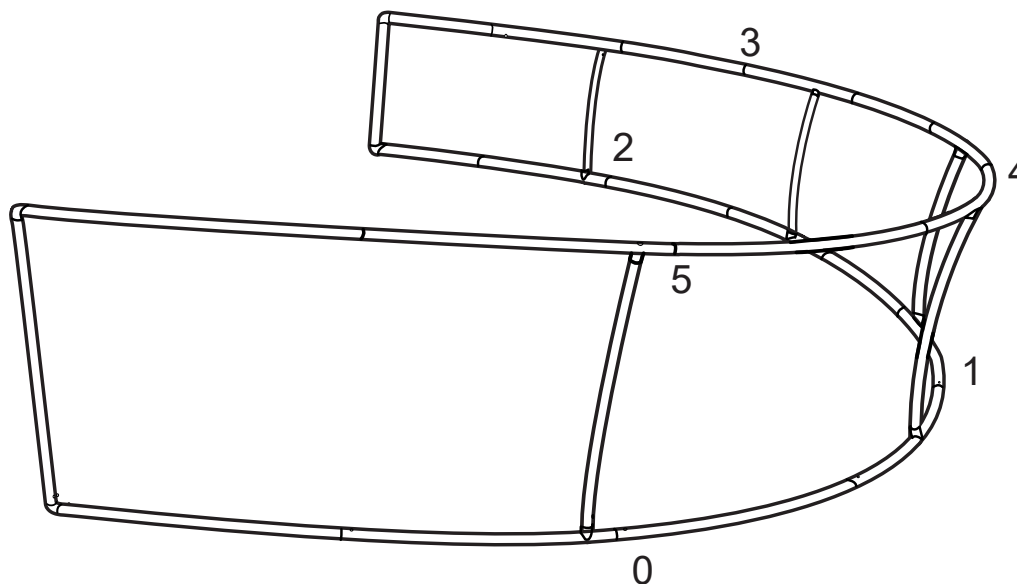


6



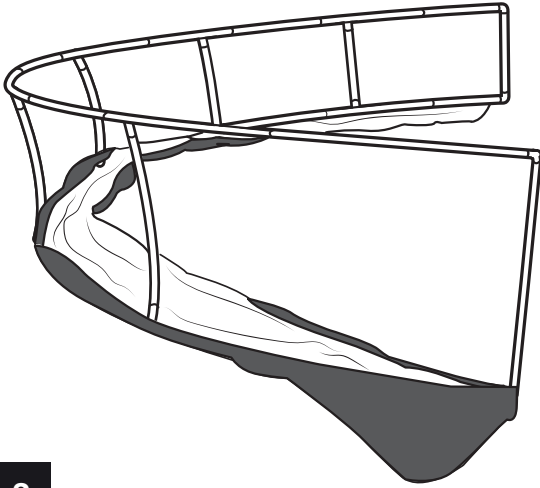
NOTE: ALIGN POLES WITH CONNECTORS

11

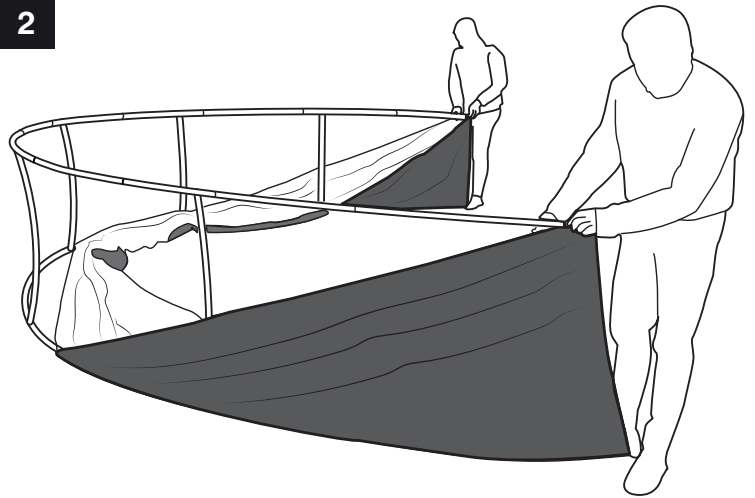




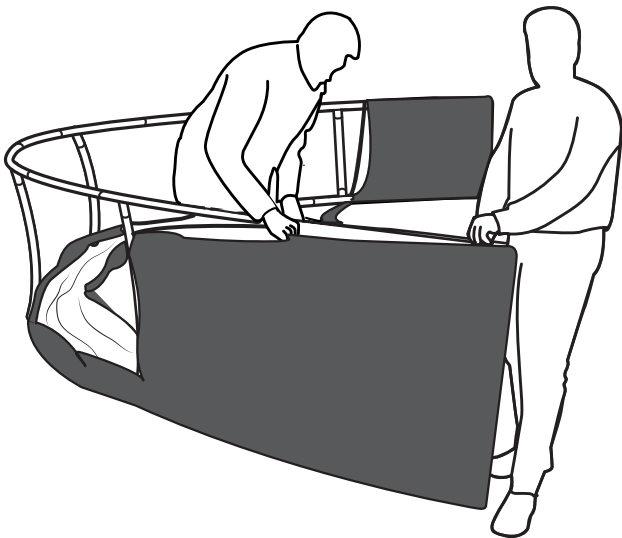
1



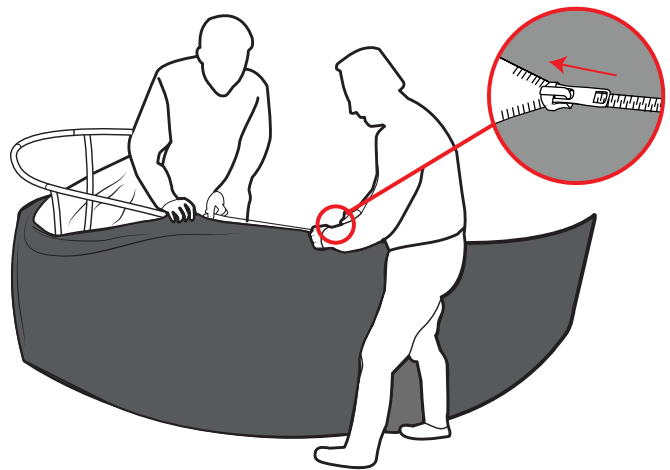
2



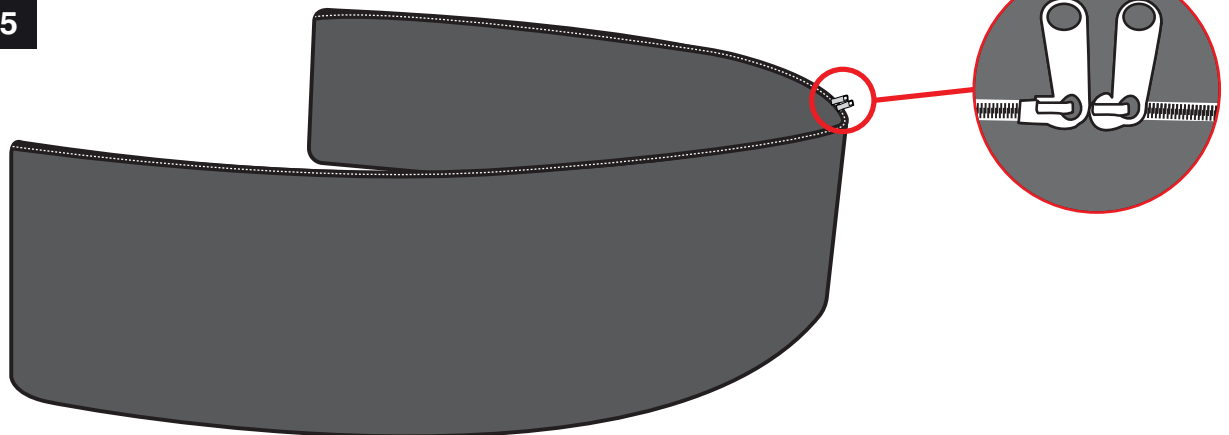
3



4



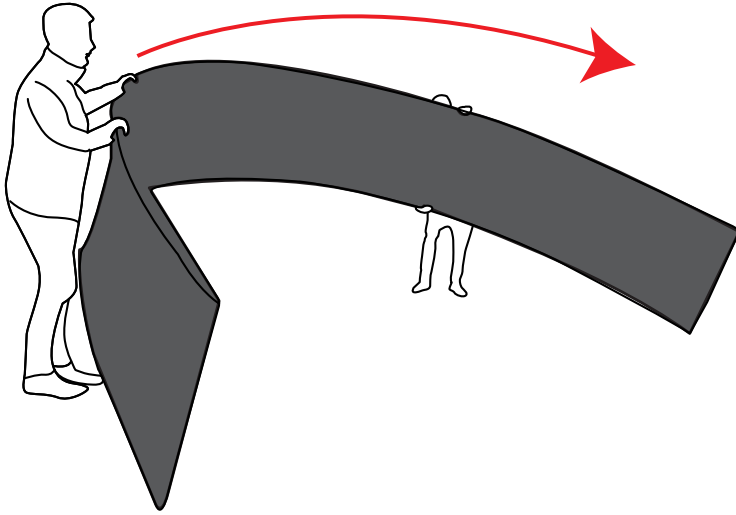
5



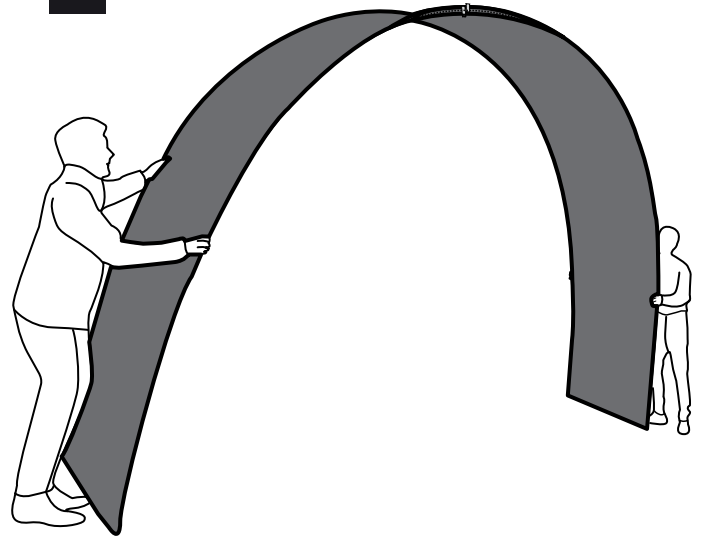
Formulate arch



1



2



3

