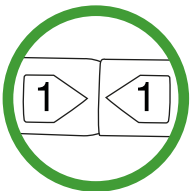
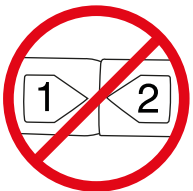
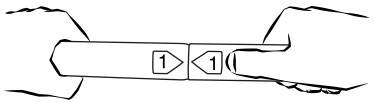
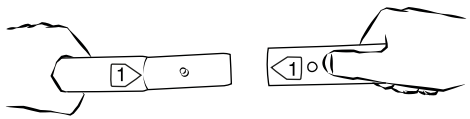
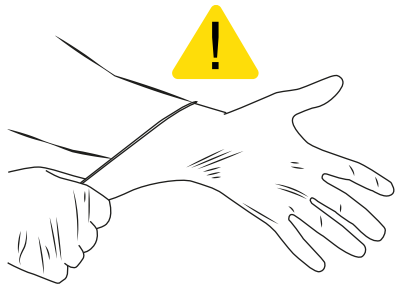
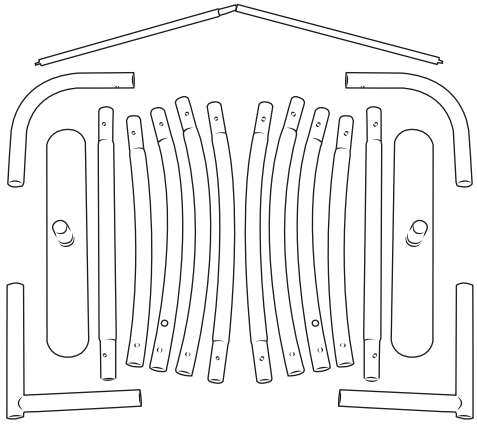
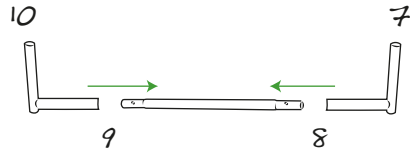


Formulate Curl



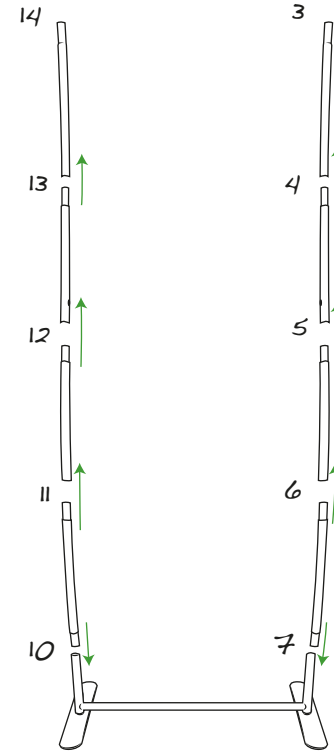
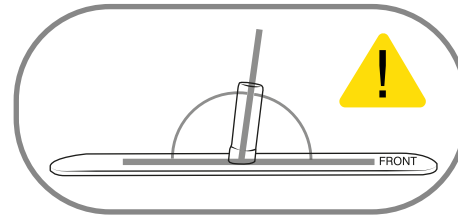
1



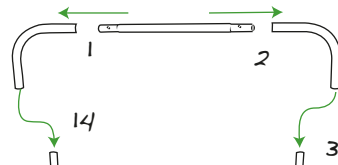
2



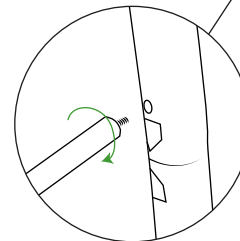
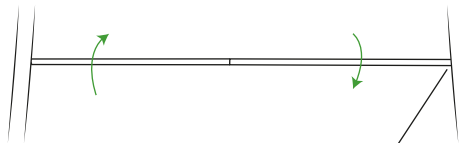
3



4



5



FORMULATE

