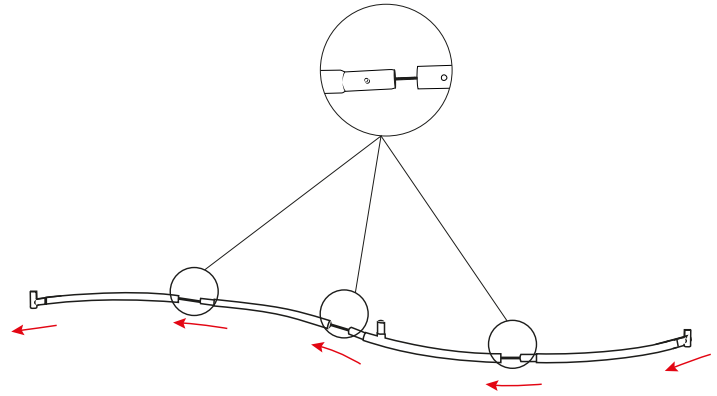
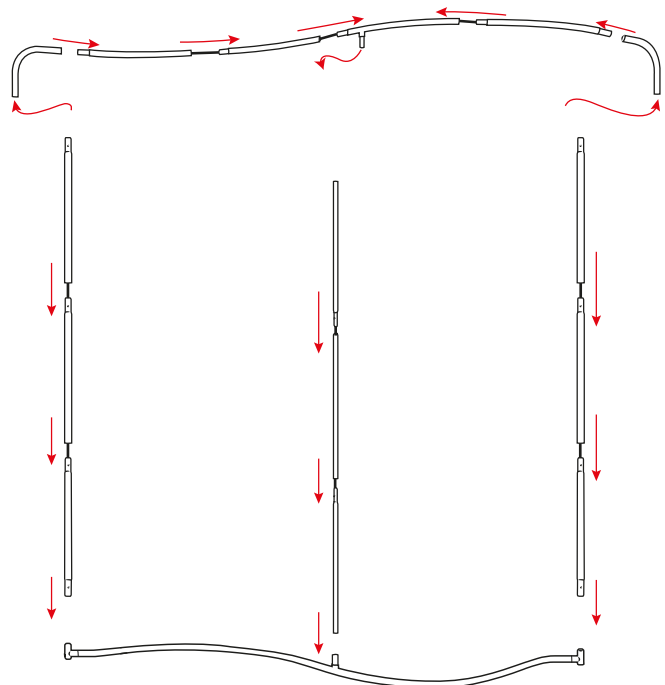


Assembling Frame

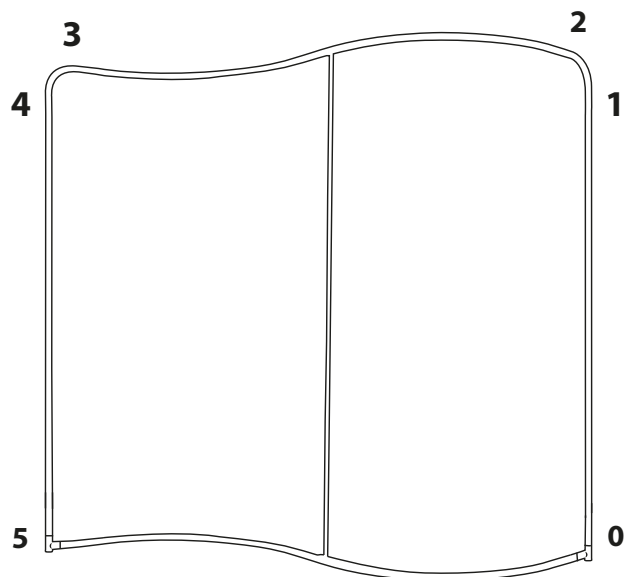
1



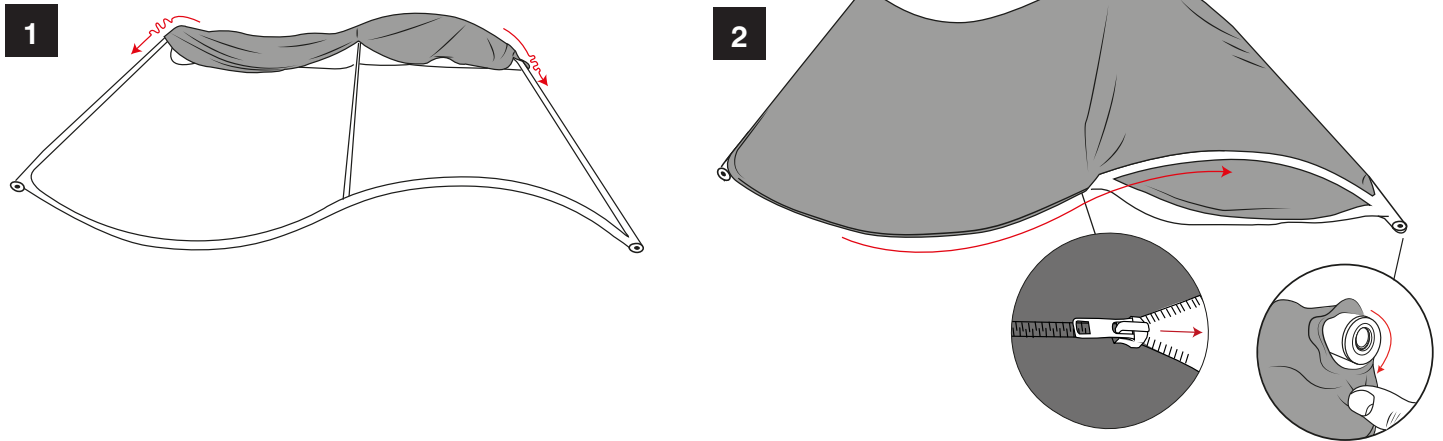
2



3



Attaching Graphic



Attaching Feet

