

4m Formulate Straight

Sept 2018



PARTS (NOT TO SCALE)

Horizontal Top Pole Section (X1)

Horizontal Base Sections (x2)

Vertical Outer Pole Sections (x2)

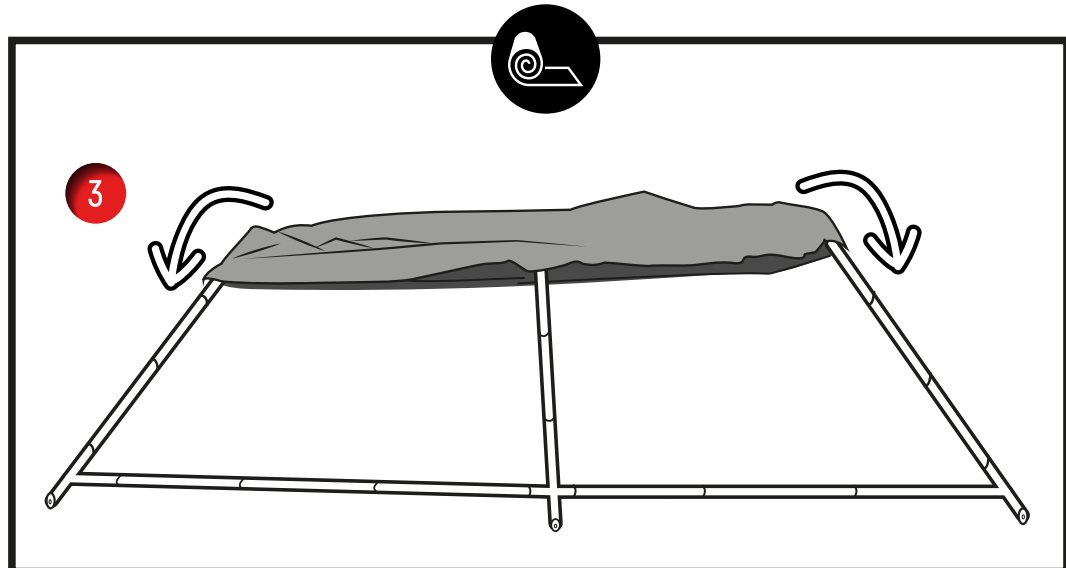
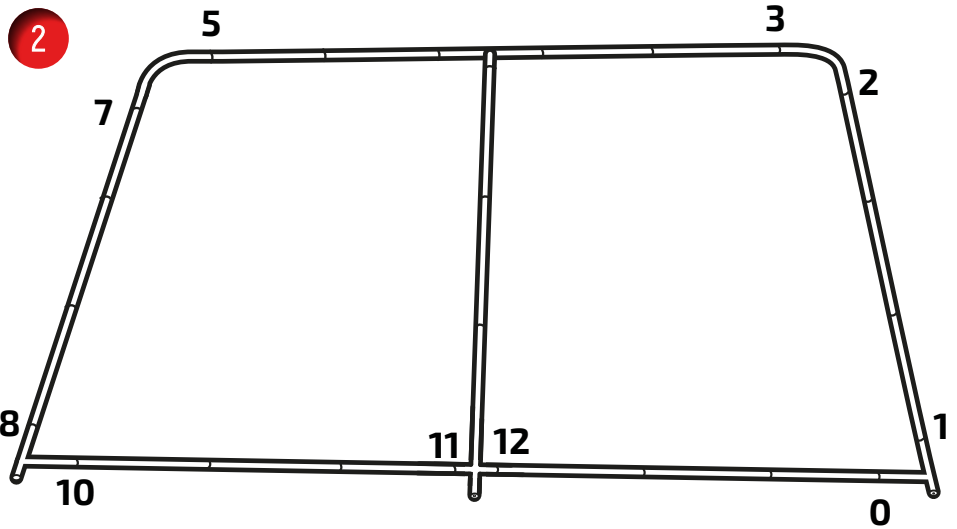
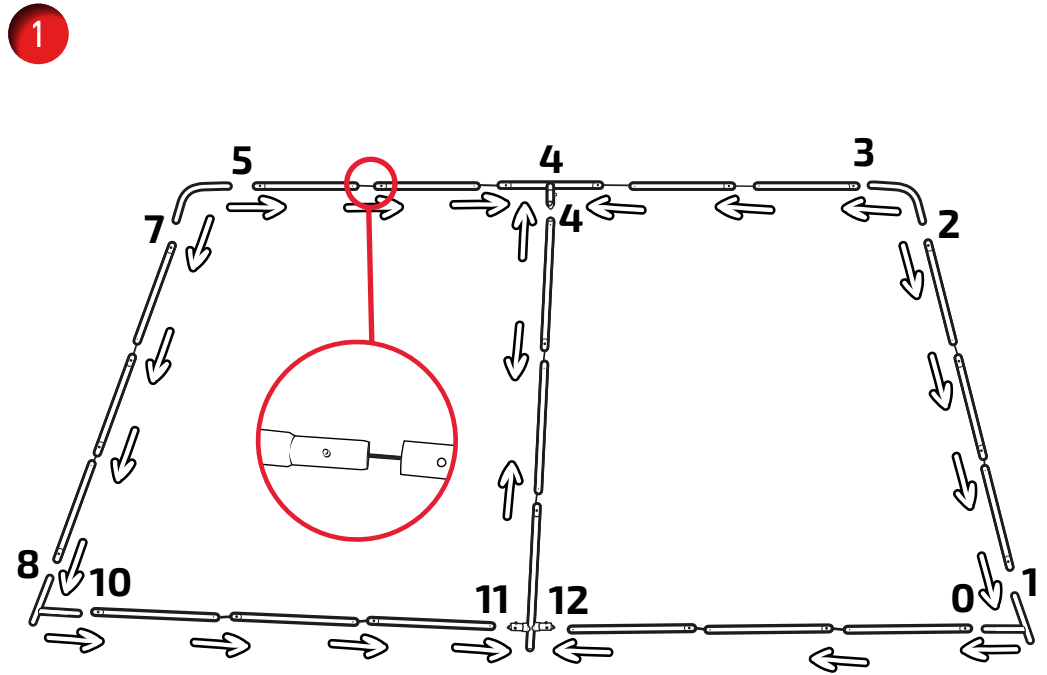
Vertical Centre Support Section (x1)

Radius Top Corner Sections (x2)	Base Corner Sections (x2)
Feet (x3)	Countersunk screws (x3)
	Allen key (x1)

TOOLS REQUIRED
Included with the kit

6mm

FOR ATTENTION



Backwalls 4m Formulate Straight

Sept 2018

