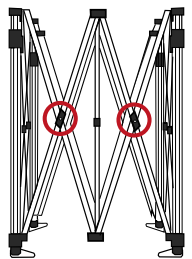


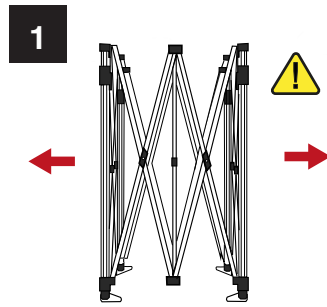


**FOR ATTENTION**

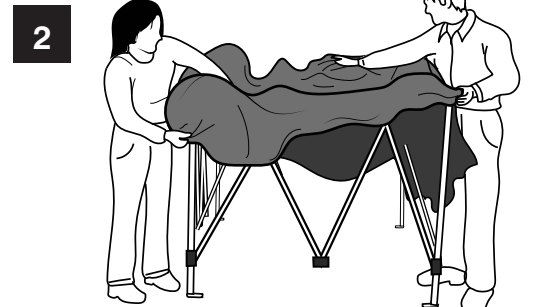


**CAUTION**  
Scissor sections of frame are a pinching hazard

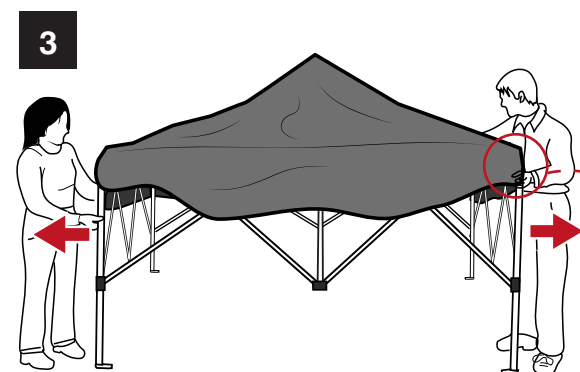
- *Take Shelter Down in Heavy Wind*
- *Allow fabric to dry before putting away*
- *Store in cover bag when tent is not in use*



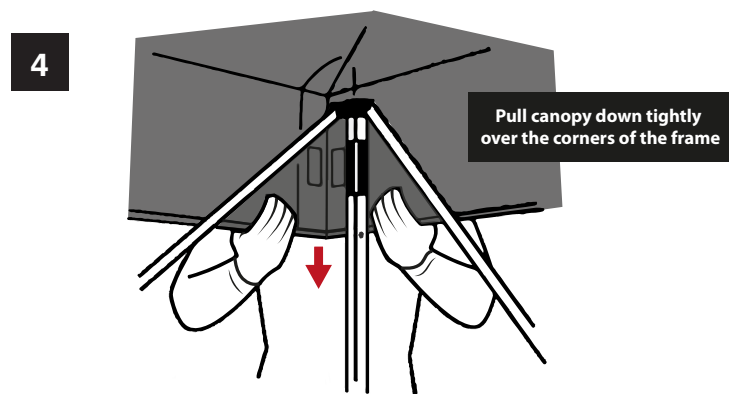
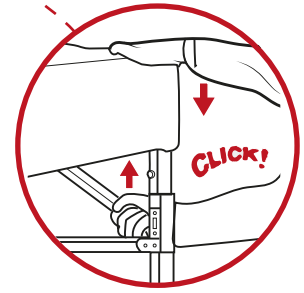
Remove frame from bag. Extend the frame partially by pulling outwards.



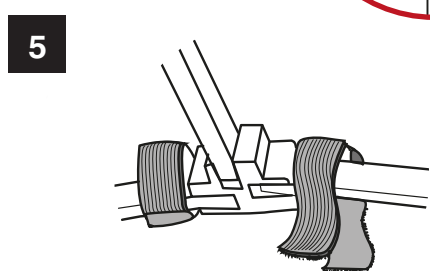
Apply canopy loosely over the frame.



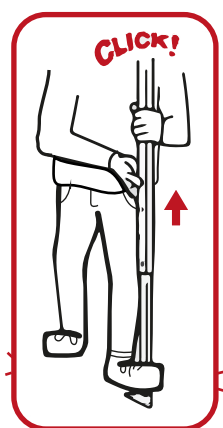
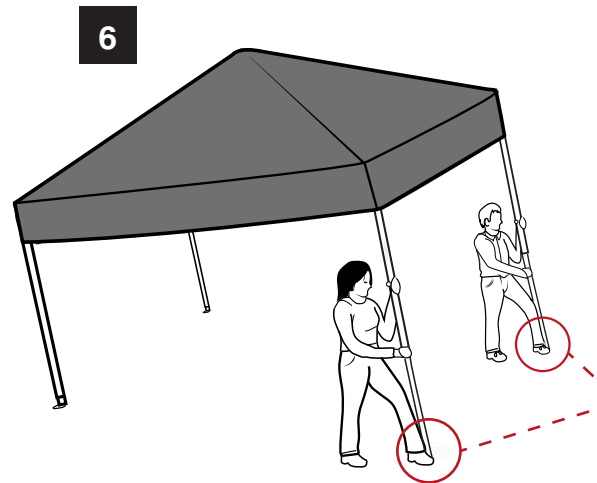
Continue to extend frame by pulling outwards until corner snap button "clicks" into position



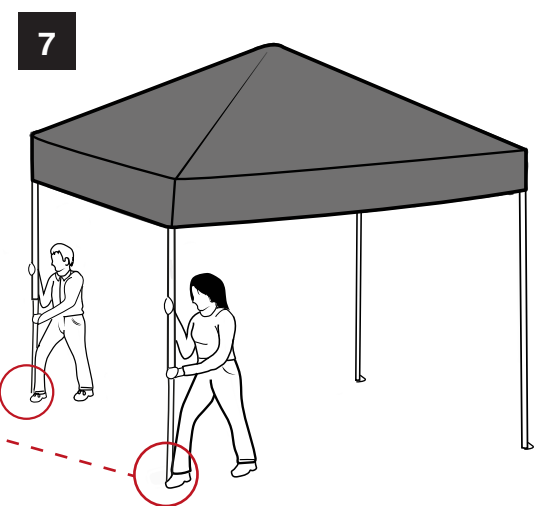
Pull canopy down tightly over the corners of the frame



Secure all interior velcro fastenings



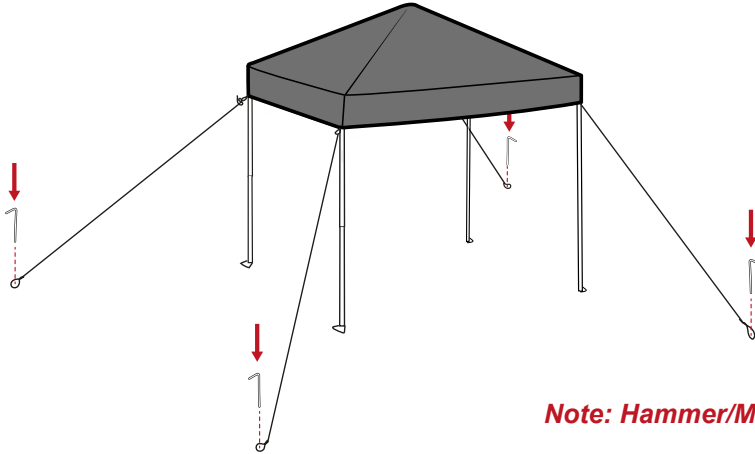
While standing on triangular foot, extend the tent legs by pulling up until snap button "clicks into place."



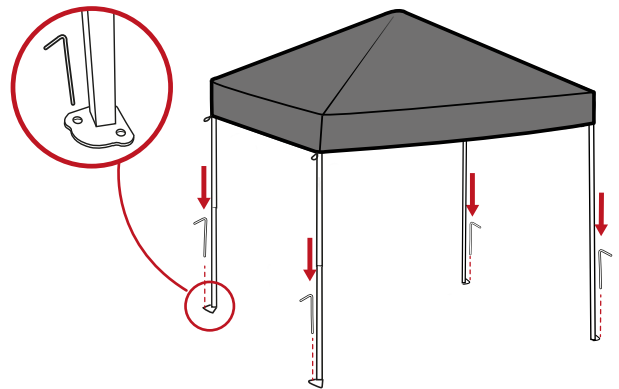


## SECURING TENT

**option A** Secure using Guy Ropes and Pegs through Canopy Loops

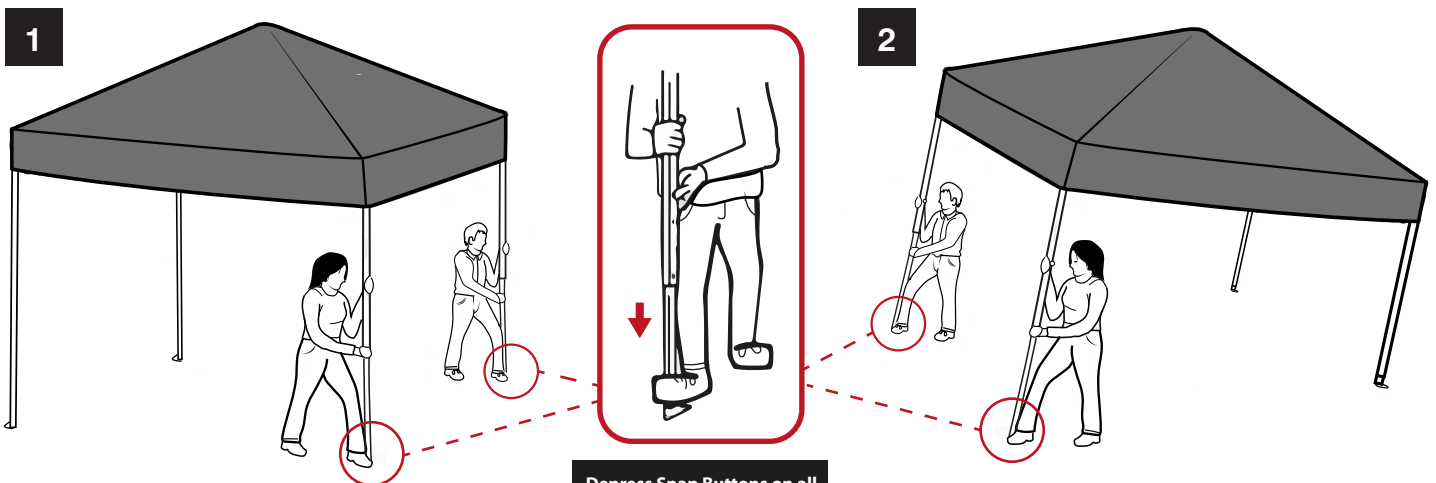


**option B** Secure using Pegs through the Holes in Tent Feet

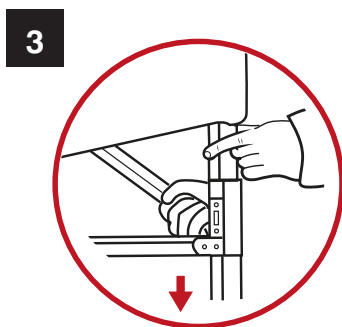


**Note: Hammer/Mallet required for pegs**

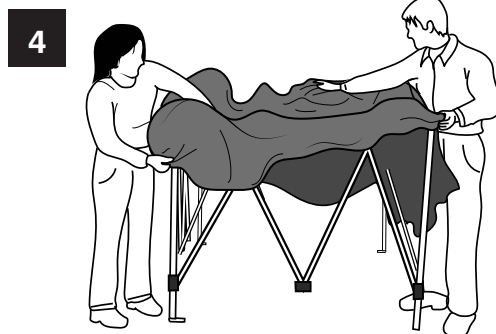
## COLLAPSING TENT



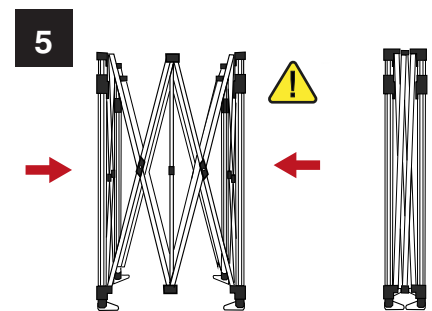
Depress Snap Buttons on all legs and retract lower section of the leg inside the upper section.



Release Frame Corner Auto Slider by pressing Snap Button



Slowly collapse frame by pushing in on itself. Remove Canopy as it starts to slacken



Collapse frame entirely