

*Comet is a stylish workstation and greeting counter constructed from MDF with high quality finish thermoformed laminated tops.*

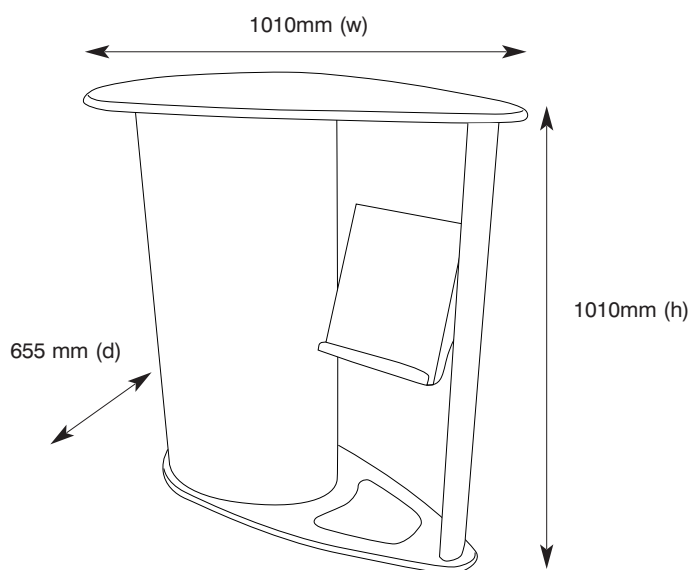


### features & benefits

- Aluminium literature holder included
- Constructed from composite materials and flexible MDF tambour
- Flat packed, easy to transport and quick to assemble
- Allen key supplied
- Load bearing up to 75kgs

Tops are available in Birch, Black or Silver thermoformed finishes

- Choice of Luxury Foam Backed Loop Nylon, Front Runner or Prelude fabric wrap colours
- Beech and Aluminium tambour wraps also available



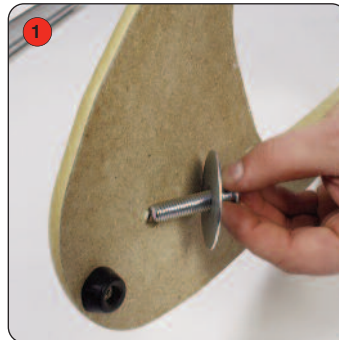
hardware specifications	wrap specifications	additional info
<p><b>Overall size (h) x (w) x (d):</b> 1010mm x 1010mm x 655mm</p> <p><b>Weight:</b> 14kg</p>	<p><b>Tambour Wrap dimensions (h) x (w):</b> 970mm x 1395mm</p> <p>If applying a graphic to the wrap, an allowance should be made to its size to accommodate material type, thickness etc.</p>	<p><b>Recommended accessory:</b> LN112 - Aluminium Literature Holder</p> <p><b>Optional extra cost accessories:</b> Cable management port Recommended Carry bag: AB151</p>

# Assembly Instructions

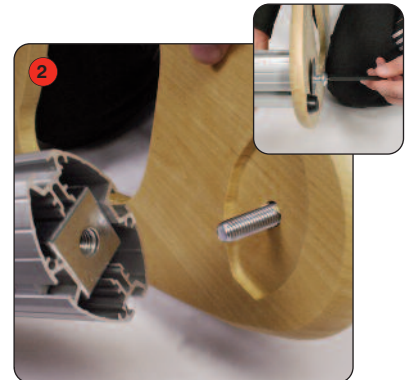
## Comet assembly



Kit includes: Base, top, wrap, linear post, aluminium lit holder, fixings, and allen key.



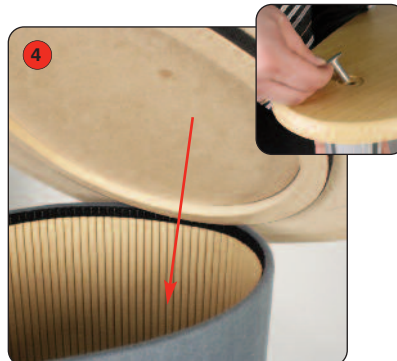
1 Take the base, turn on its side and slot the screw and washer through the hole on the underneath near the narrow end.



2 Feed the screw into the bottom of the linear post and screw tightly to secure, using the Allen key.



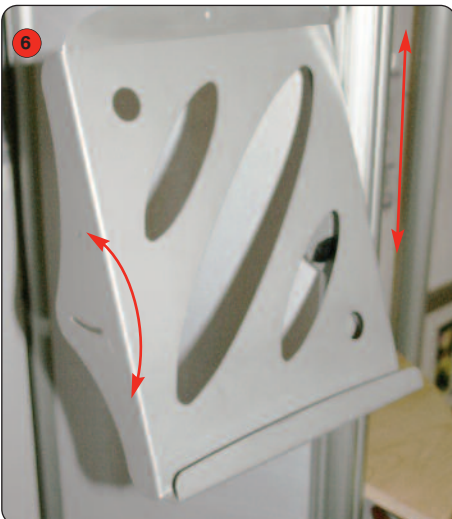
3 Stand the base and post up now and attach the wrap around the hook and loop mount on the base, pressing firmly to secure.



4 Lower top onto the wrap and again, press firmly to secure the hook and loop fastening together. Secure in place by inserting and tightening screw at top of post.



5 The linear post should have the bar and thumbscrews already attached. Unscrew the thumbscrews, and insert through the side of the literature holder, screwing back into the bar to secure



6 The height and angle of the literature holder can be adjusted by loosening the thumbscrews.

